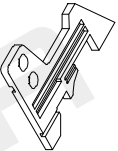
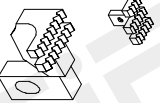
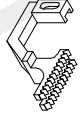


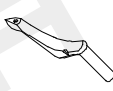
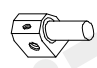






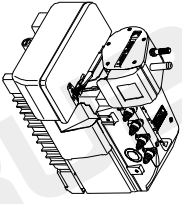




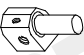



# DTF拷克車規格件表 / CONVERSION CHART

機 型 MODEL	 針板 NEEDLE PLATE	 送 具 FEED DOG	 送 具 FEED DOG	 送 具 FEED DOG	 押 具 PRESSER FOOT	 勾 針 LOOPER	 針 留 NEEDLE CLAMP	 束 子 COLLER	 衝 程 CRANK	 衝 程 CRANK	 針 號 NEEDLE
747DF-T-514H4-24	E919	D440 D095	H445	D453	P454-A	LP38	KG142-E	KJ13F	TF157-A	KJ11B	DCX27#9*2
747DF-T-514H4-24GB	E919	D440 D095	H445	D453	P454-A	LP38	KG142-E	KJ13F	TF157-A	KJ11B	DCX27#9*2
747DF-T-514H4-24GB/P	E919	D440 D095	H445	D453	P454P-A	LP38	KG142-E	KJ13F	TF157-A	KJ11B	DCX27#9*2
747DF-T-514M2-24	E919	D440 D095	H445	D453	P454-A	LP38	KG142-E	KJ13F	TF157-A	KJ11B	DCX27#9*2
747DF-T-514M2-24DT	E919C	D440 D095	H445	D453	P454-A	LP38	KG142-E	KJ13F	TF157-A	KJ11B	DCX27#9*2
757DF-T-516H4-35	E861	D489 D502	H497	D469	P466-A	LP38	KG153-E	KJ13F	TF157-A	KJ11B	DCX27#14*2
757DF-T-516H4-35GB	E861	D489 D502	H497	D469	P466-A	LP38	KG153-E	KJ13F	TF157-A	KJ11B	DCX27#14*2
757DF-T-516H4-35GB/P	E861	D489 D502	H497	D469	P466P-A	LP38	KG153-E	KJ13F	TF157-A	KJ11B	DCX27#14*2
757DF-T-516H4-56	E866	D489 D502	H500	D469	P463-A	LP38	KG155-E	KJ13F	TF157-A	KJ11B	DCX27#14*2
757DF-T-516H4-56GB	E866	D489 D502	H500	D469	P463-A	LP38	KG155-E	KJ13F	TF157-A	KJ11B	DCX27#14*2
757DF-T-516H4-56GB/P	E866	D489 D502	H500	D469	P463P-A	LP38	KG155-E	KJ13F	TF157-A	KJ11B	DCX27#14*2
757DF-T-516M2-35	E861	D489 D502	H497	D469	P466-A	LP38	KG153-E	KJ13F	TF157-A	KJ11B	DCX27#18*2
757DF-T-516M2-35DT	E861C	D489 D502	H497	D469	P466-A	LP38	KG153-E	KJ13F	TF157-A	KJ11B	DCX27#18*2
757DF-T-516M2-56	E866	D489 D502	H500	D469	P463-A	LP38	KG155-E	KJ13F	TF157-A	KJ11B	DCX27#14*2
747DRT-514M2-24	E919	D440 D095	H445	D070	P068-4	LP38	KG142-E	KJ13F	TF157-A	KJ11B	DCX27#9*2
747DRT-514M2-24DT	E919C	D440 D095	H445	D070	P068-4	LP38	KG142-E	KJ13F	TF157-A	KJ11B	DCX27#9*2
757DRT-516M2-56	E129	D066 D067	H500	D064	P056-A	LP38	KG155-E	KJ13F	TF157-A	KJ11B	DCX27#14*2
757DRT-516M2-56DT	E129C	D066 D067	H500	D064	P056-A	LP38	KG155-E	KJ13F	TF157-A	KJ11B	DCX27#14*2
757DRT-516M2-35	E169	D066 D067	H497	D064	P053-A	LP38	KG153-E	KJ13F	TF157-A	KJ11B	DCX27#14*2
757DRT-516M2-35DT	E169C	D066 D067	H497	D064	P053-A	LP38	KG153-E	KJ13F	TF157-A	KJ11B	DCX27#14*2

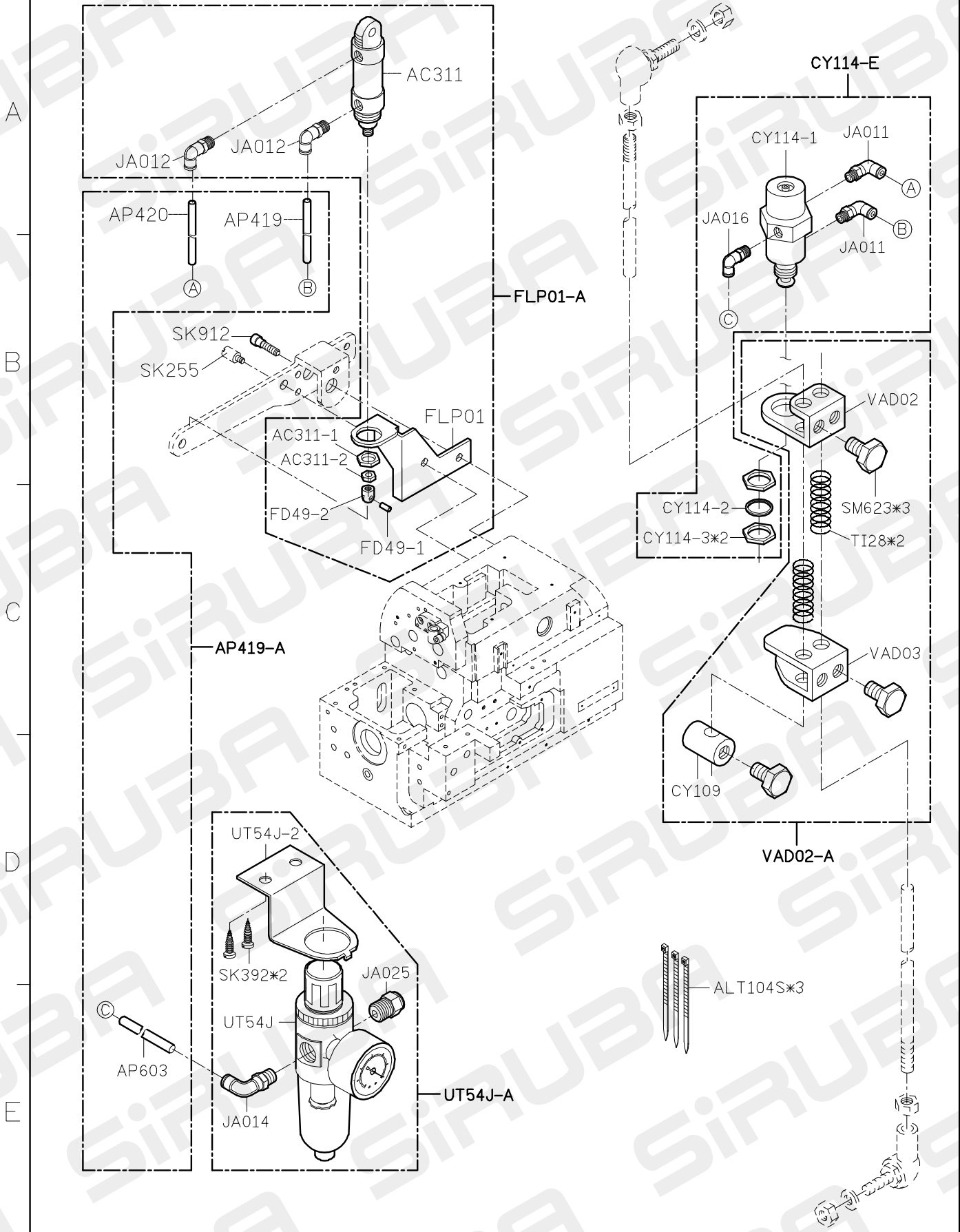
# TF 拷克車規格件表 / CONVERSION CHART

機 型 MODEL	針板 NEEDLE PLATE	送 具 FEED DOG	送 具 FEED DOG	押 具 PRESSER FOOT	勾 針 LOOPER	針 留 NEEDLE CLAMP	束 子 COLLER	衝 程 CRANK	衝 程 CRANK	針 號 NEEDLE
747EFT-514H4-24	E919	D440 D095	D453 H445	P454-A	LP38	KG142-E	KJ13F	KF26-A	KJ11B	DCX27#9*2
747EFT-514H4-24GB	E919	D440 D095	D453 H445	P454-A	LP38	KG142-E	KJ13F	KF26-A	KJ11B	DCX27#9*2
747EFT-514H4-24GB/P	E919	D440 D095	D453 H445	P454P-A	LP38	KG142-E	KJ13F	KF26-A	KJ11B	DCX27#9*2
747EFT-514H4-24GB/PB	E919	D440 D095	D453 H445	P454-A	LP38	KG142-E	KJ13F	KF26-A	KJ11B	DCX27#9*2
747EFT-514M2-24	E919	D440 D095	D453 H445	P454-A	LP38	KG142-E	KJ13F	KF26-A	KJ11B	DCX27#9*2
747EFT-514M2-24DT	E919C	D440 D095	D453 H445	P454-A	LP38	KG142-E	KJ13F	KF26-A	KJ11B	DCX27#9*2
757EFT-516H4-35	E861	D489 D502	D469 H497	P466-A	LP38	KG153-E	KJ13F	KF26-A	KJ11B	DCX27#14*2
757EFT-516H4-35GB	E861	D489 D502	D469 H497	P466-A	LP38	KG153-E	KJ13F	KF26-A	KJ11B	DCX27#14*2
757EFT-516H4-35GB/P	E861	D489 D502	D469 H497	P466P-A	LP38	KG153-E	KJ13F	KF26-A	KJ11B	DCX27#14*2
757EFT-516H4-35GB/PB	E861	D489 D502	D469 H497	P466-A	LP38	KG153-E	KJ13F	KF26-A	KJ11B	DCX27#14*2
757EFT-516H4-56	E866	D489 D502	D469 H500	P463-A	LP38	KG155-E	KJ13F	KF26-A	KJ11B	DCX27#14*2
757EFT-516H4-56GB	E866	D489 D502	D469 H500	P463-A	LP38	KG155-E	KJ13F	KF26-A	KJ11B	DCX27#14*2
757EFT-516H4-56GB/P	E866	D489 D502	D469 H500	P463P-A	LP38	KG155-E	KJ13F	KF26-A	KJ11B	DCX27#14*2
757EFT-516H4-56GB/PB	E866	D489 D502	D469 H500	P463-A	LP38	KG155-E	KJ13F	KF26-A	KJ11B	DCX27#14*2
757EFT-516M2-35	E861	D489 D502	D469 H497	P466-A	LP38	KG153-E	KJ13F	KF26-A	KJ11B	DCX27#18*2
757EFT-516M2-35DT	E861C	D489 D502	D469 H497	P466-A	LP38	KG153-E	KJ13F	KF26-A	KJ11B	DCX27#18*2
757EFT-516M2-56	E866	D489 D502	D469 H500	P463-A	LP38	KG155-E	KJ13F	KF26-A	KJ11B	DCX27#14*2
757EFT-516M2-56DT	E866C	D489 D502	D469 H500	P463-A	LP38	KG155-E	KJ13F	KF26-A	KJ11B	DCX27#14*2
747EFT-514M2-24	E919	D440 D095	D070 H445	P068-4	LP38	KG142-E	KJ13F	KF26-A	KJ11B	DCX27#9*2
757EFT-516M2-56	E129	D066 D067	D064 H500	P056-A	LP38	KG155-E	KJ13F	KF26-A	KJ11B	DCX27#14*2
757EFT-516M2-56DT	E129C	D066 D067	D064 H500	P056-A	LP38	KG155-E	KJ13F	KF26-A	KJ11B	DCX27#14*2
757EFT-516M2-35	E169	D066 D067	D064 H497	P053-A	LP38	KG153-E	KJ13F	KF26-A	KJ11B	DCX27#14*2
757EFT-516M2-35DT	E169C	D066 D067	D064 H497	P053-A	LP38	KG153-E	KJ13F	KF26-A	KJ11B	DCX27#14*2

# TF 拷克車規格件表 / CONVERSION CHART

機 型 MODEL	針板 NEEDLE PLATE	送 具 FEED DOG	送 具 FEED DOG	押 具 PRESSER FOOT	勾 針 LOOPER	針 留 NEEDLE CLAMP	束 子 COLLER	衝 程 CRANK	衝 程 CRANK	針 號 NEEDLE
 747FFT-514H4-24	E919	 D440	 D095	 P454-A	 LP38	 KG142-E	 KJ13F	 TF157-E	 KJ11B	DCX27#9*2
747FFT-514H4-24GB	E919	D440	D095	P454-A	LP38	KG142-E	KJ13F	TF157-E	KJ11B	DCX27#9*2
747FFT-514H4-24GB/P	E919	D440	D095	P454P-A	LP38	KG142-E	KJ13F	TF157-E	KJ11B	DCX27#9*2
747FFT-514H4-24GB/PB	E919	D440	D095	P454-A	LP38	KG142-E	KJ13F	TF157-E	KJ11B	DCX27#9*2
747FFT-514M2-24	E919	D440	D095	P454-A	LP38	KG142-E	KJ13F	TF157-E	KJ11B	DCX27#9*2
747FFT-514M2-24DT	E919C	D440	D095	P454-A	LP38	KG142-E	KJ13F	TF157-E	KJ11B	DCX27#9*2
757FFT-516H4-35	E861	D489	D502	P466-A	LP38	KG153-E	KJ13F	TF157-E	KJ11B	DCX27#14*2
757FFT-516H4-35GB	E861	D489	D502	P466-A	LP38	KG153-E	KJ13F	TF157-E	KJ11B	DCX27#14*2
757FFT-516H4-35GB/P	E861	D489	D502	P466P-A	LP38	KG153-E	KJ13F	TF157-E	KJ11B	DCX27#14*2
757FFT-516H4-35GB/PB	E861	D489	D502	P466-A	LP38	KG153-E	KJ13F	TF157-E	KJ11B	DCX27#14*2
757FFT-516H4-56	E866	D489	D502	P463-A	LP38	KG155-E	KJ13F	TF157-E	KJ11B	DCX27#14*2
757FFT-516H4-56GB	E866	D489	D502	P463-A	LP38	KG155-E	KJ13F	TF157-E	KJ11B	DCX27#14*2
757FFT-516H4-56GB/P	E866	D489	D502	P463P-A	LP38	KG155-E	KJ13F	TF157-E	KJ11B	DCX27#14*2
757FFT-516H4-56GB/PB	E866	D489	D502	P463-A	LP38	KG155-E	KJ13F	TF157-E	KJ11B	DCX27#14*2
757FFT-516M2-35	E861	D489	D502	P466-A	LP38	KG153-E	KJ13F	TF157-E	KJ11B	DCX27#18*2
757FFT-516M2-35DT	E861C	D489	D502	P466-A	LP38	KG153-E	KJ13F	TF157-E	KJ11B	DCX27#18*2
757FFT-516M2-56	E866	D489	D502	P463-A	LP38	KG155-E	KJ13F	TF157-E	KJ11B	DCX27#14*2
757FFT-516M2-56DT	E866C	D489	D502	P463-A	LP38	KG155-E	KJ13F	TF157-E	KJ11B	DCX27#14*2
747FRT-514M2-24	E919	D440	D095	P068-4	LP38	KG142-E	KJ13F	TF157-E	KJ11B	DCX27#9*2
757FRT-516M2-56	E129	D066	D067	P056-A	LP38	KG155-E	KJ13F	TF157-E	KJ11B	DCX27#14*2
757FRT-516M2-56DT	E129C	D066	D067	P056-A	LP38	KG155-E	KJ13F	TF157-E	KJ11B	DCX27#14*2
757FRT-516M2-35	E169	D066	D067	P053-A	LP38	KG153-E	KJ13F	TF157-E	KJ11B	DCX27#14*2
757FRT-516M2-35DT	E169C	D066	D067	P053-A	LP38	KG153-E	KJ13F	TF157-E	KJ11B	DCX27#14*2

# DFT PARTS LIST FOR FLP GROUP P.1/1



# PARTS LIST FOR GB GROUP 系列圖 1

A

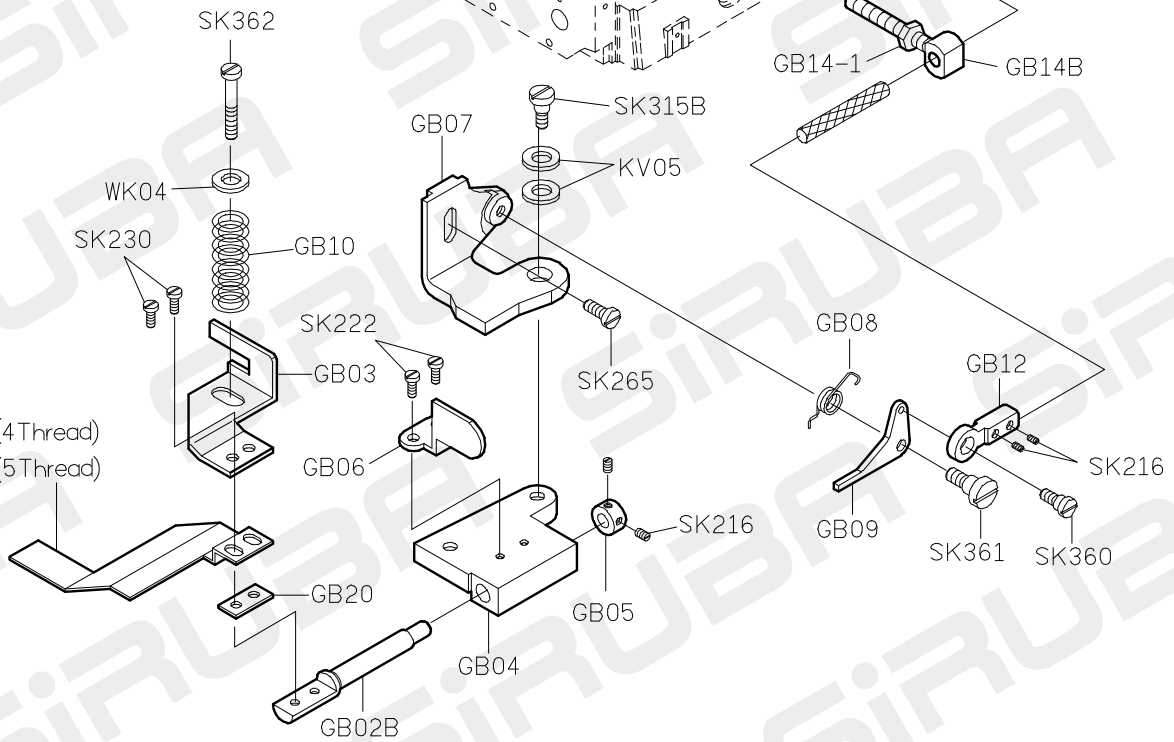
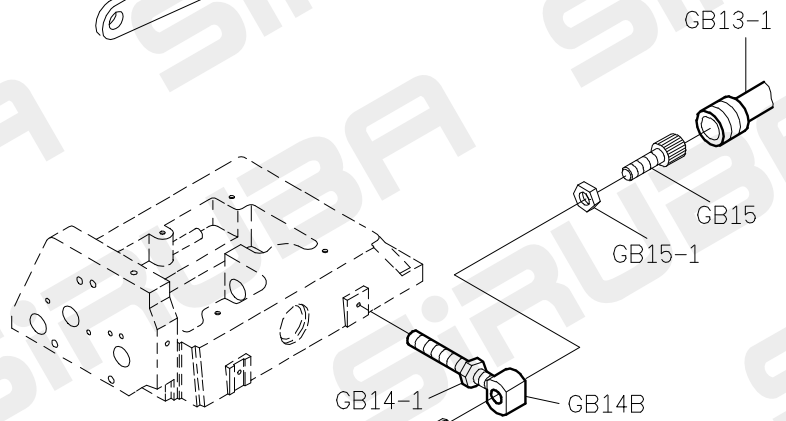
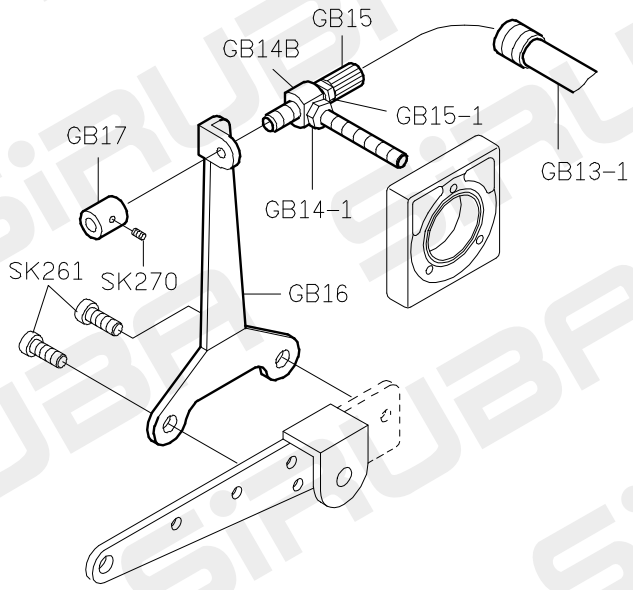
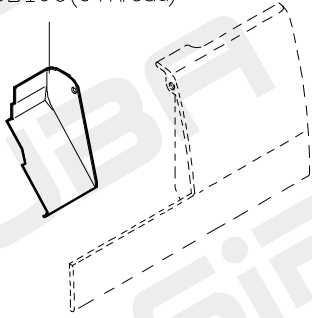
B

C

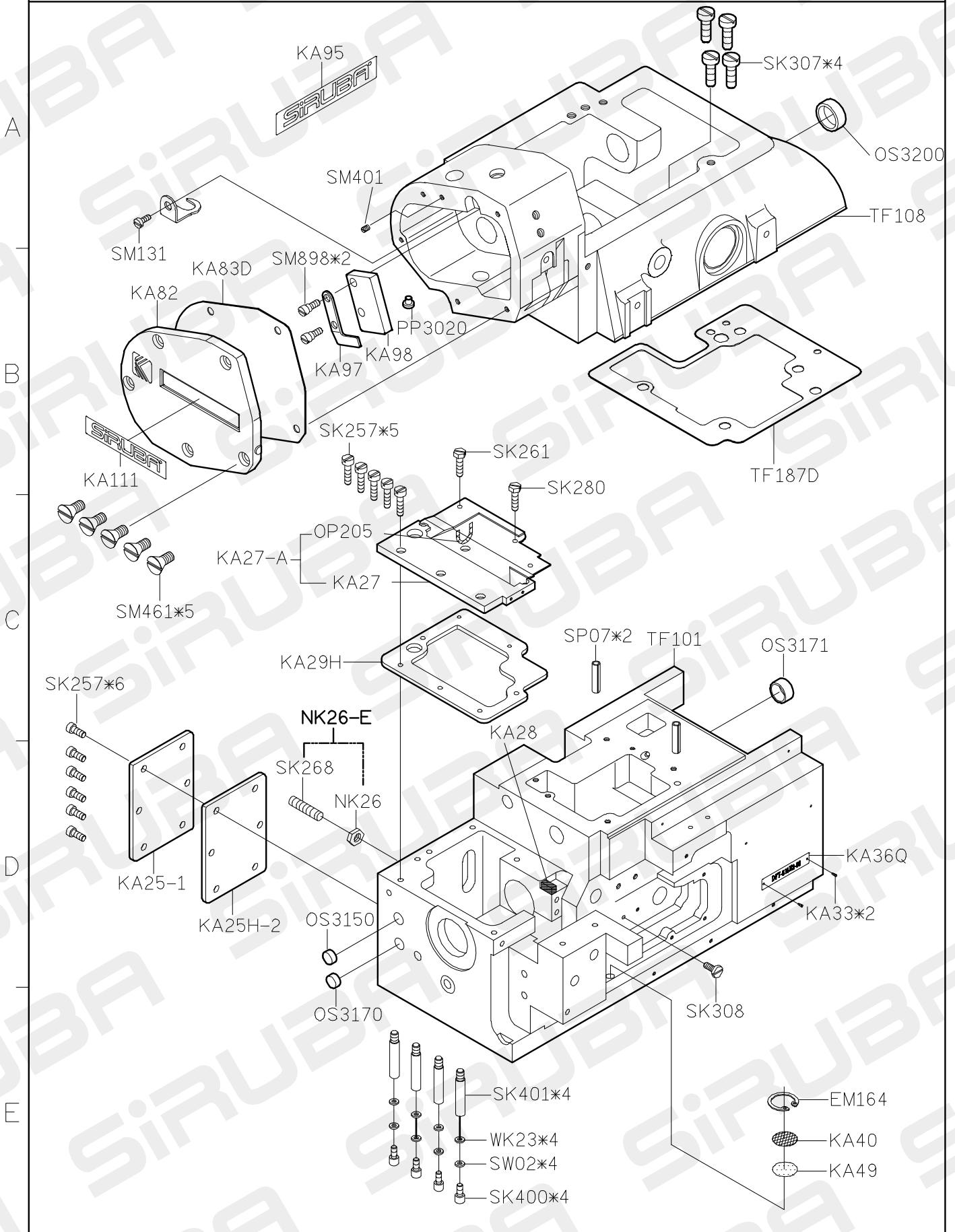
D

E

GB18U(4Thread)  
GB19U(5Thread)



# DFT PARTS LIST FOR KA GROUP P.1/1



# DFT PARTS LIST FOR KB GROUP P.1/1

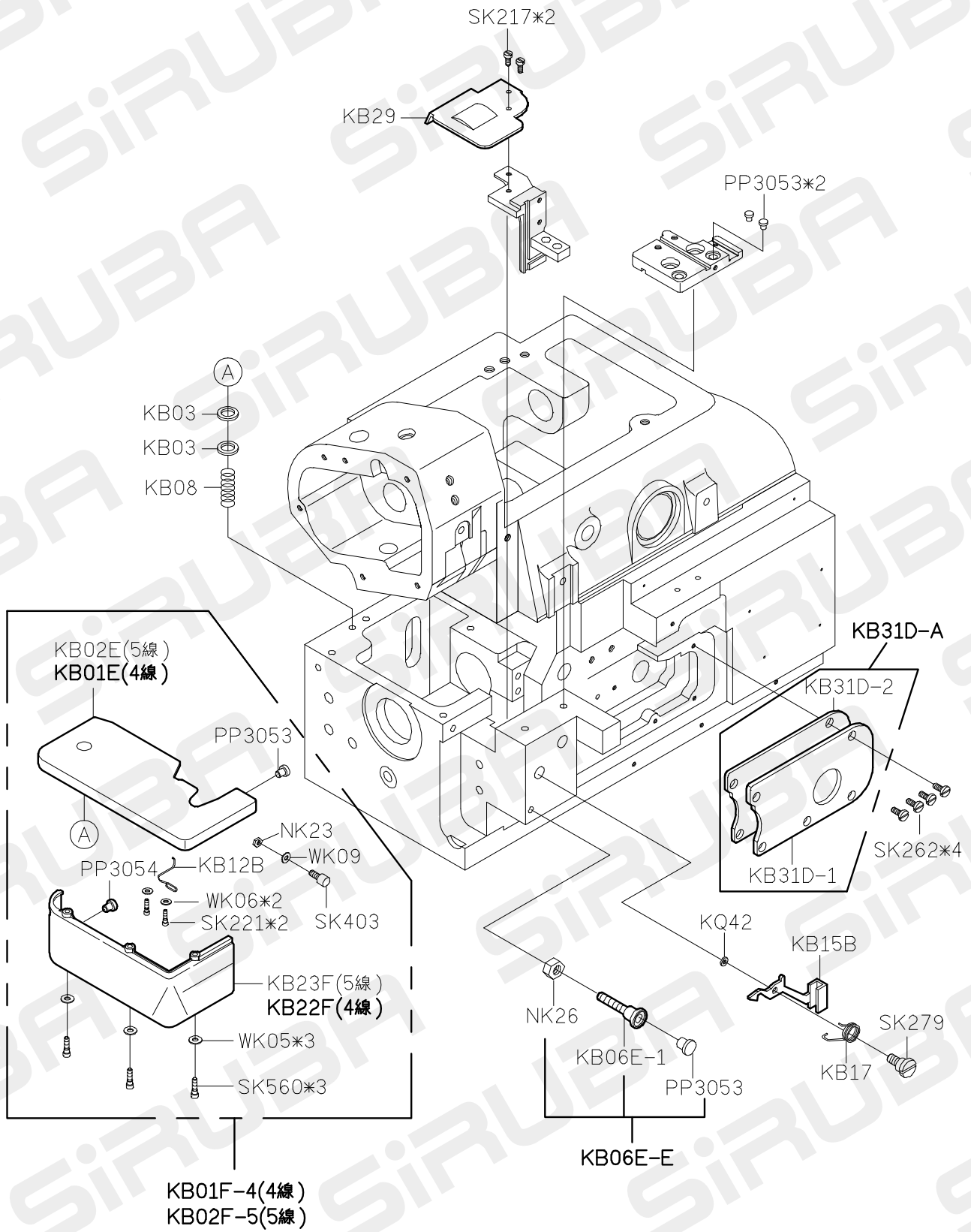
A

B

C

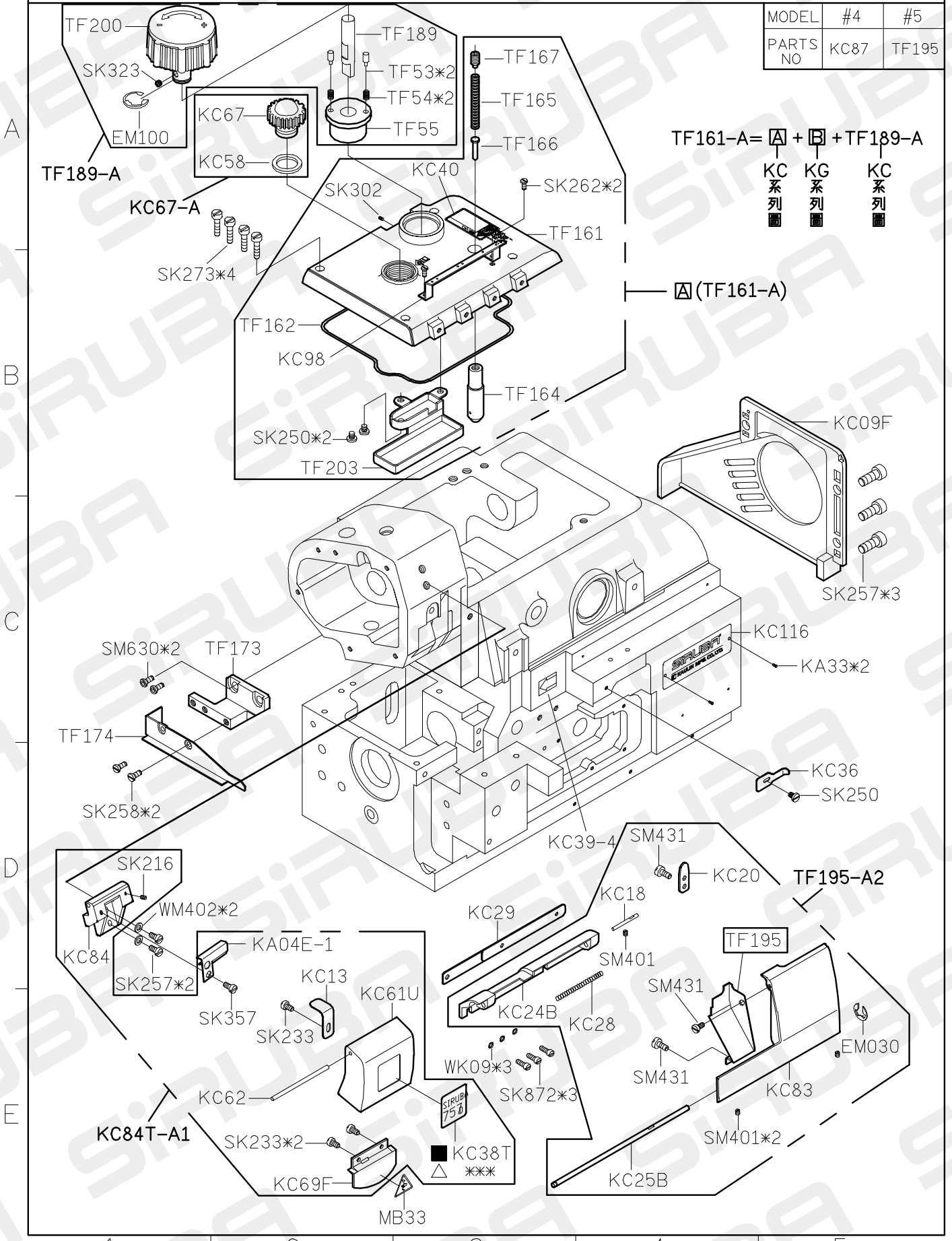
D

E



# DFT PARTS LIST FOR KC GROUP P.1/1

MODEL	#4	#5
PARTS NO	KC87	TF195



TF161-A = + + TF189-A

KC系列  
 KG系列  
 KC系列

(TF161-A)

A

B

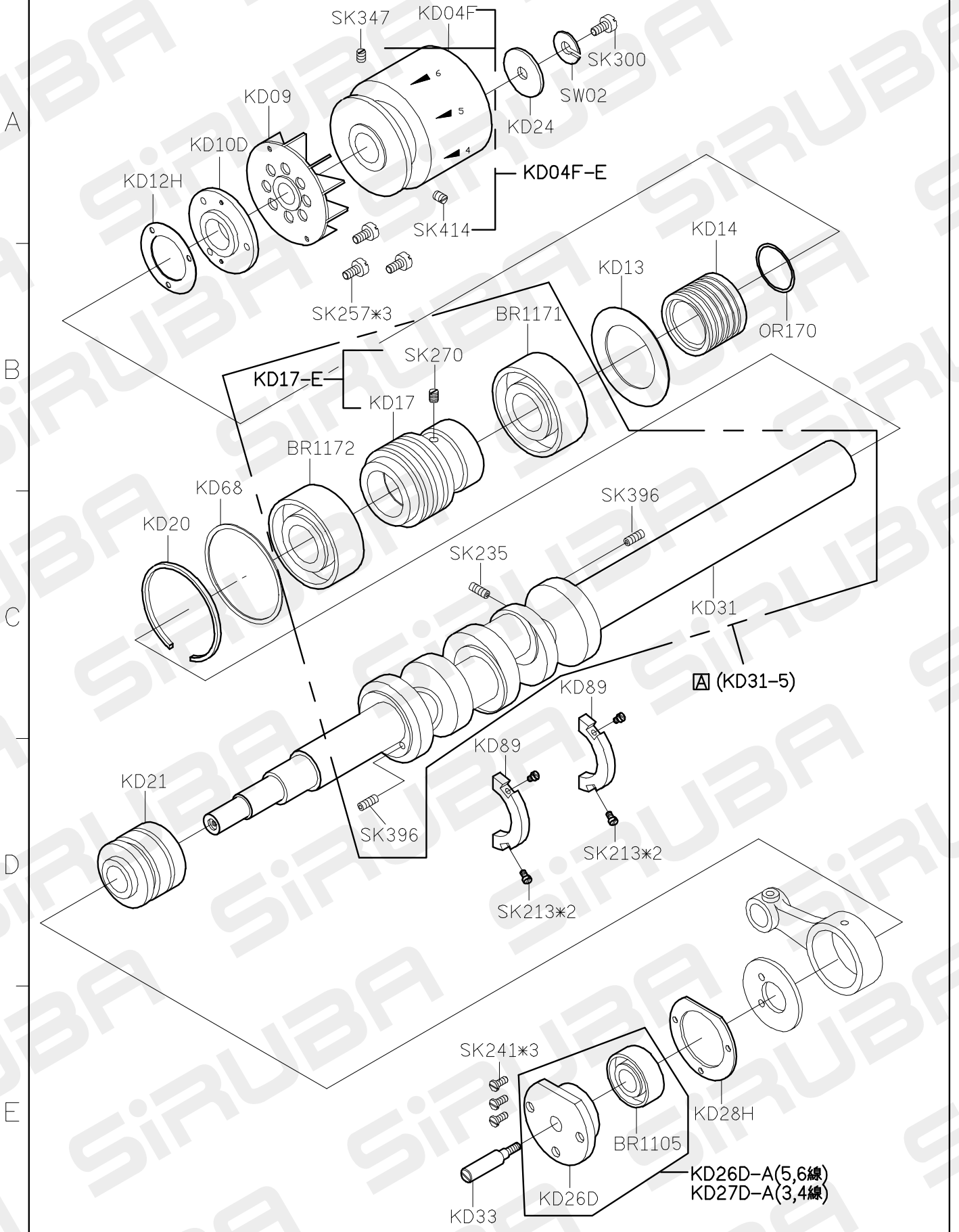
C

D

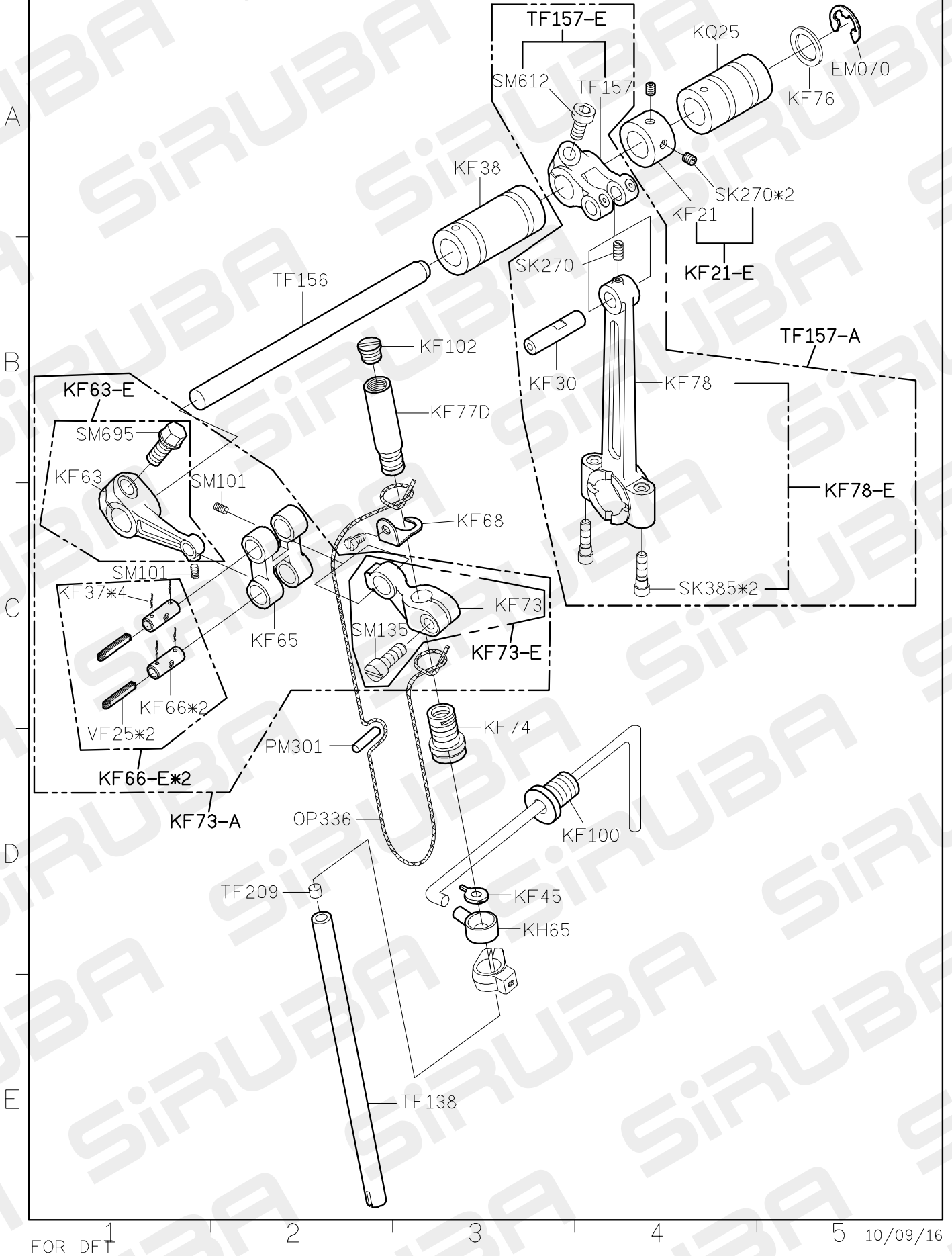
E



# DFT PARTS LIST FOR KD GROUP P.1/1



# DFT PARTS LIST FOR KF GROUP P.1/1



# 700DFT PARTS LIST FOR KG GROUP P.1/1

MODEL	#4	#5
	TF205	KG51
PARTS NO	TF160	KG64
	TF163	KG65
	TF206	KG34
	KG52-4	KG52-5

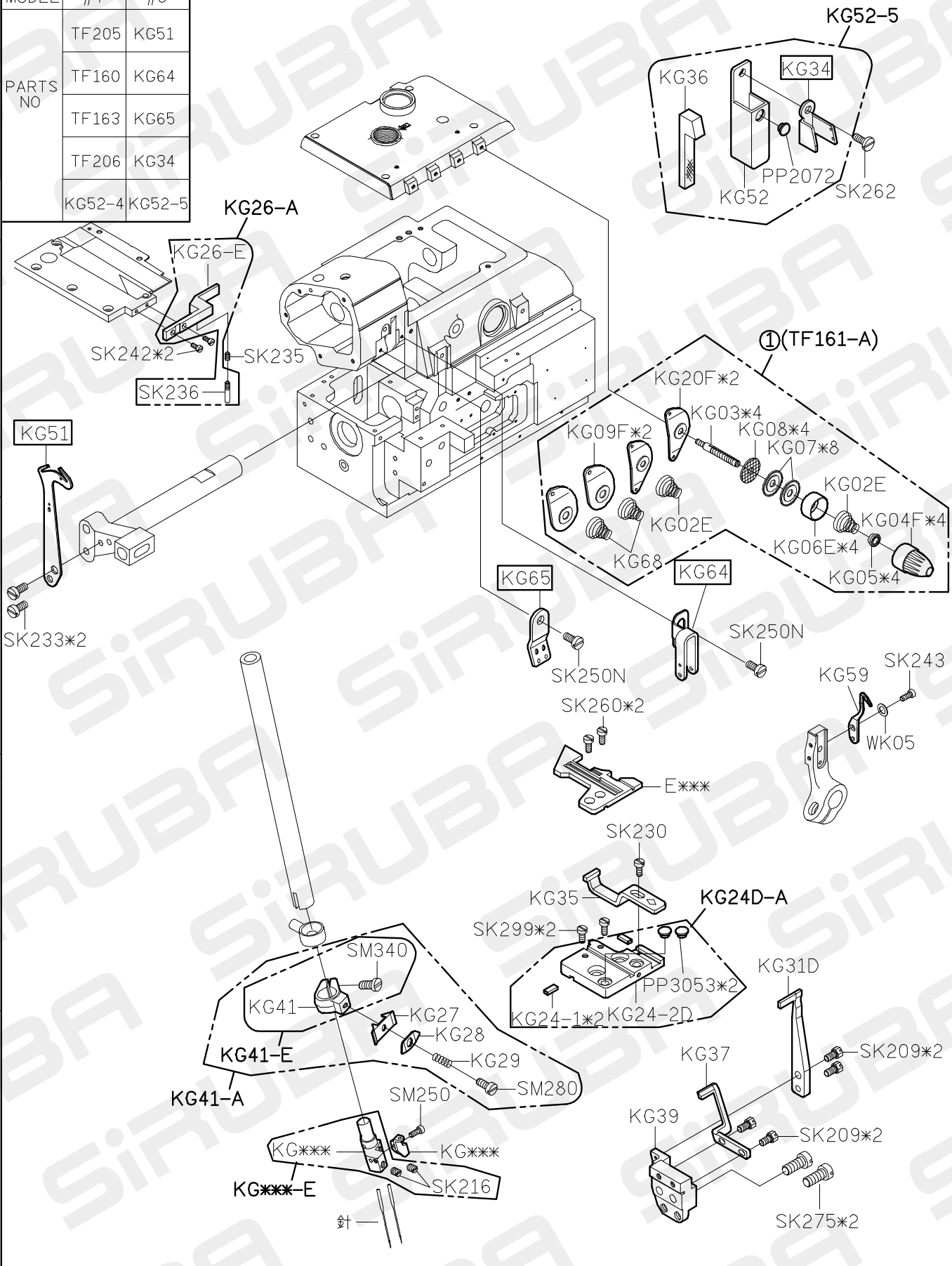
A

B

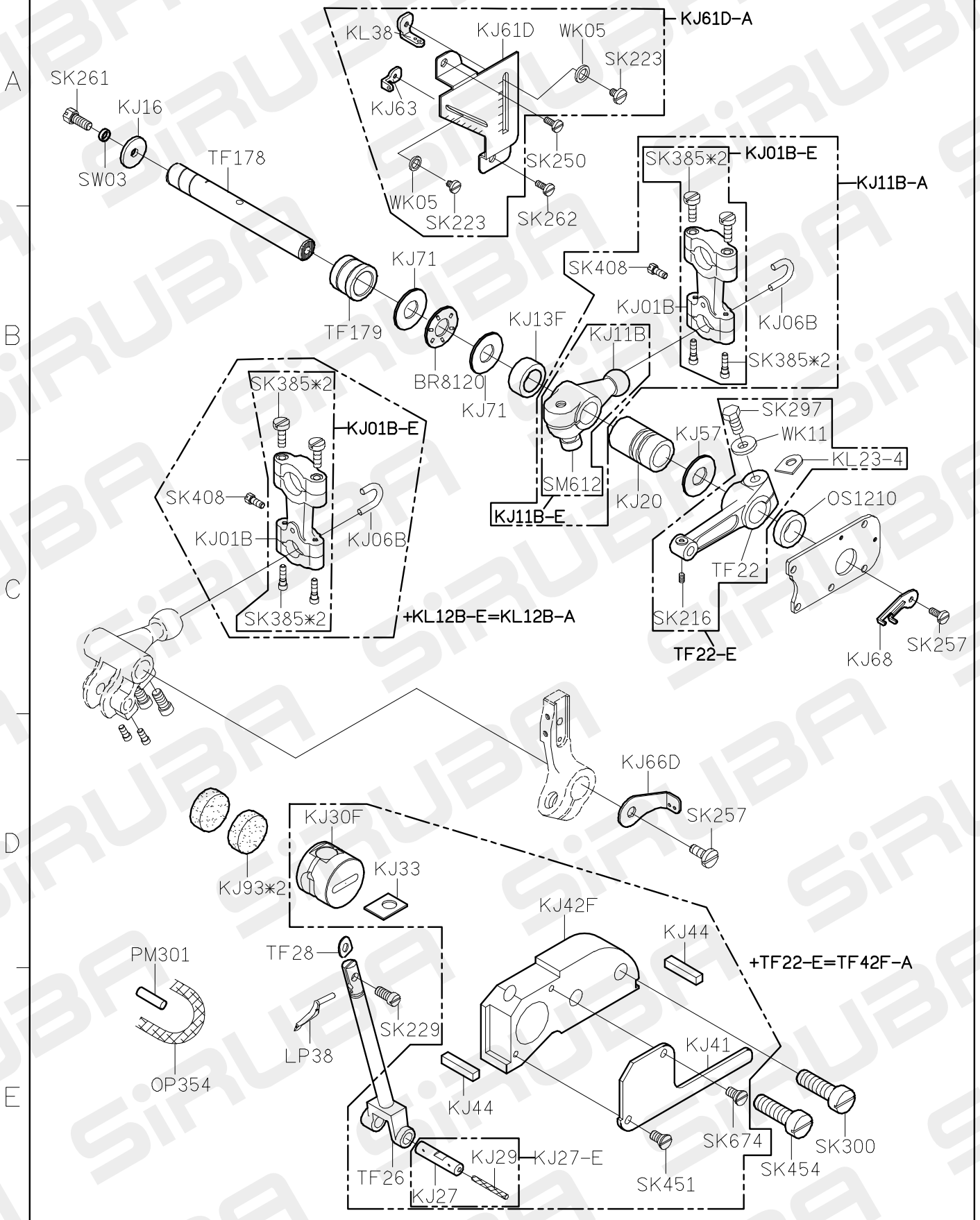
C

D

E



# 700DFT PARTS LIST FOR KJ GROUP P.1/1



# 700DFT PARTS LIST FOR KL GROUP P.1/1

MODEL	#4	#5
PARTS NO	KL57	KL16
	KL15	KL11
	KL12B-E	KL09B-E

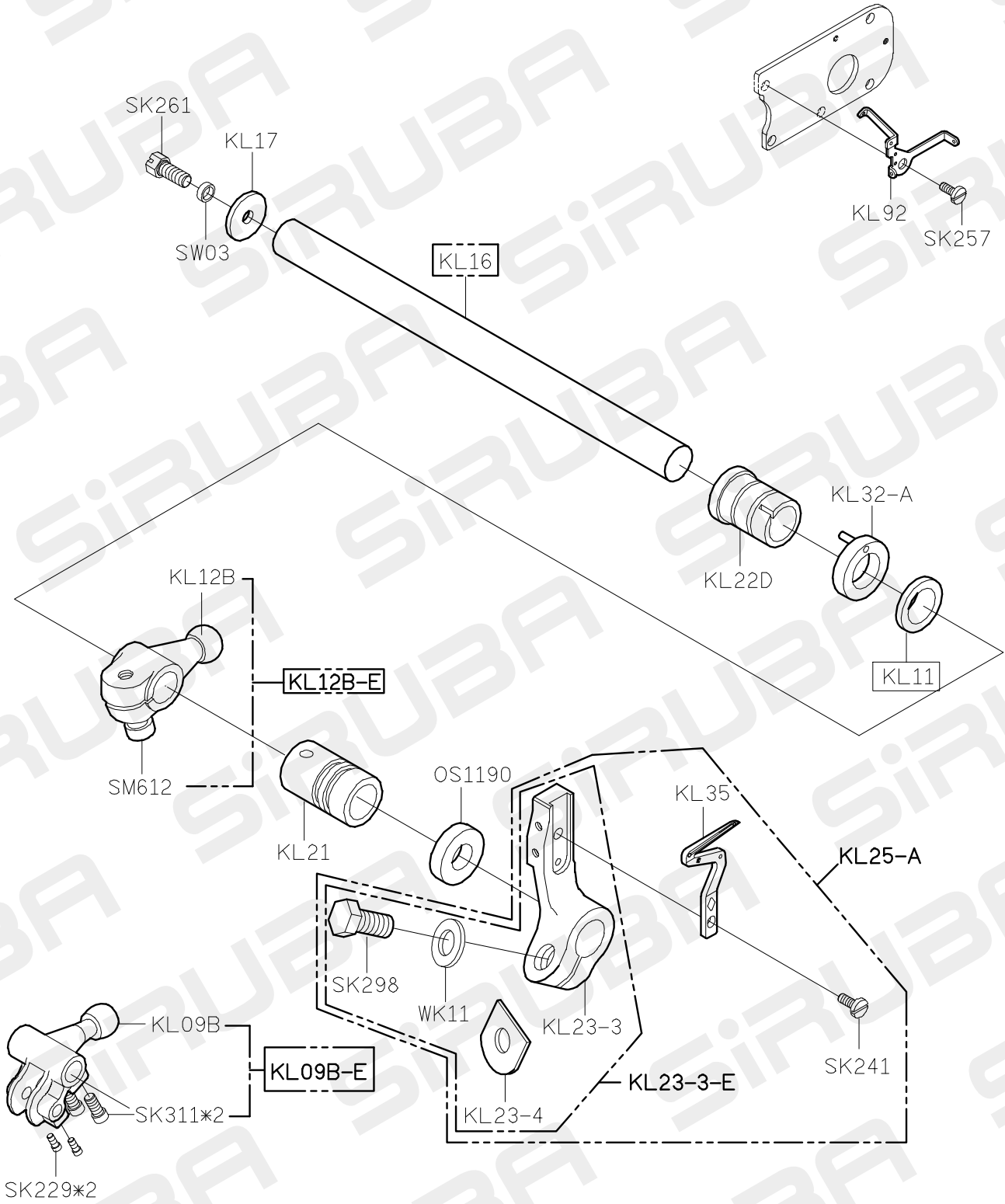
A

B

C

D

E



1

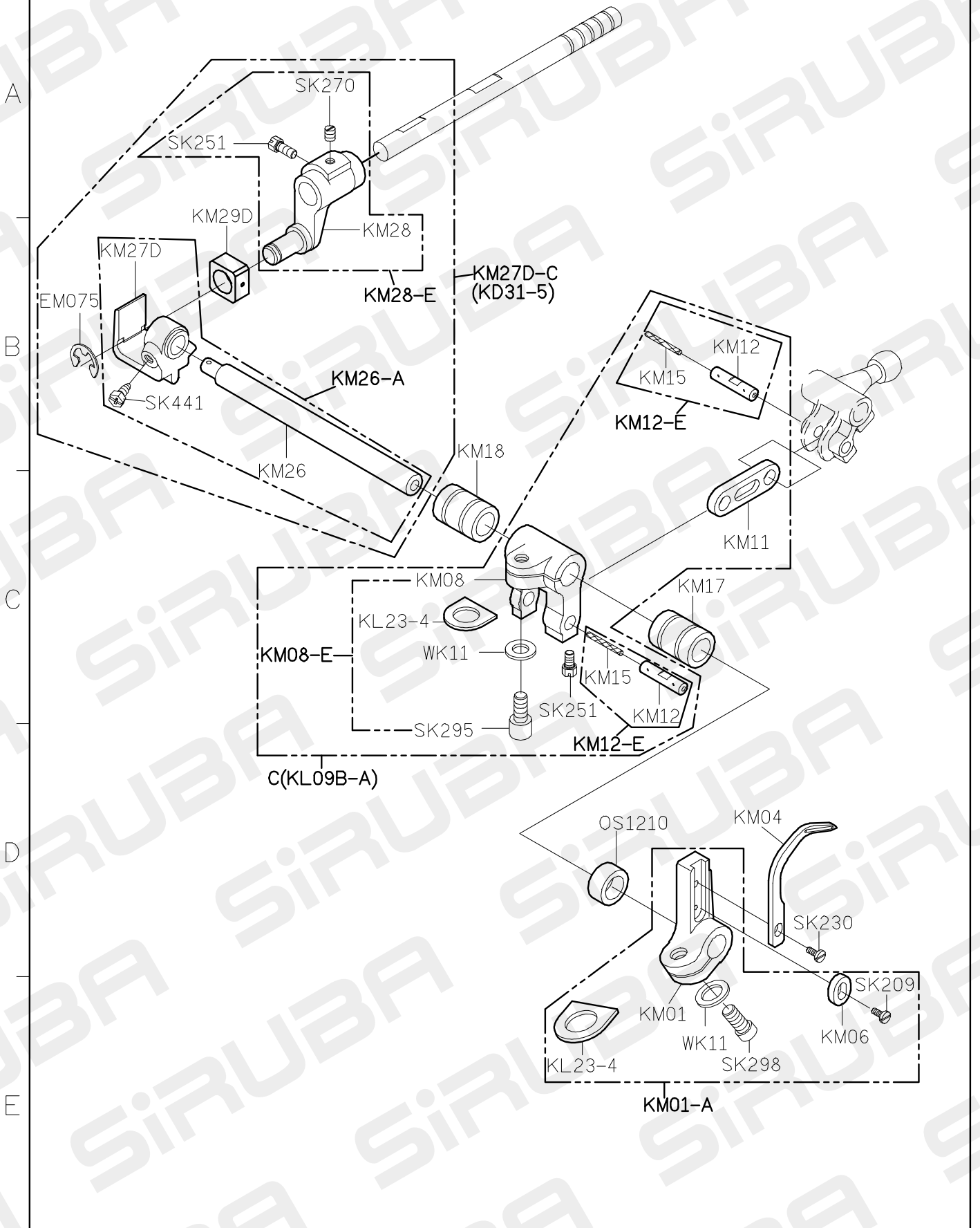
2

3

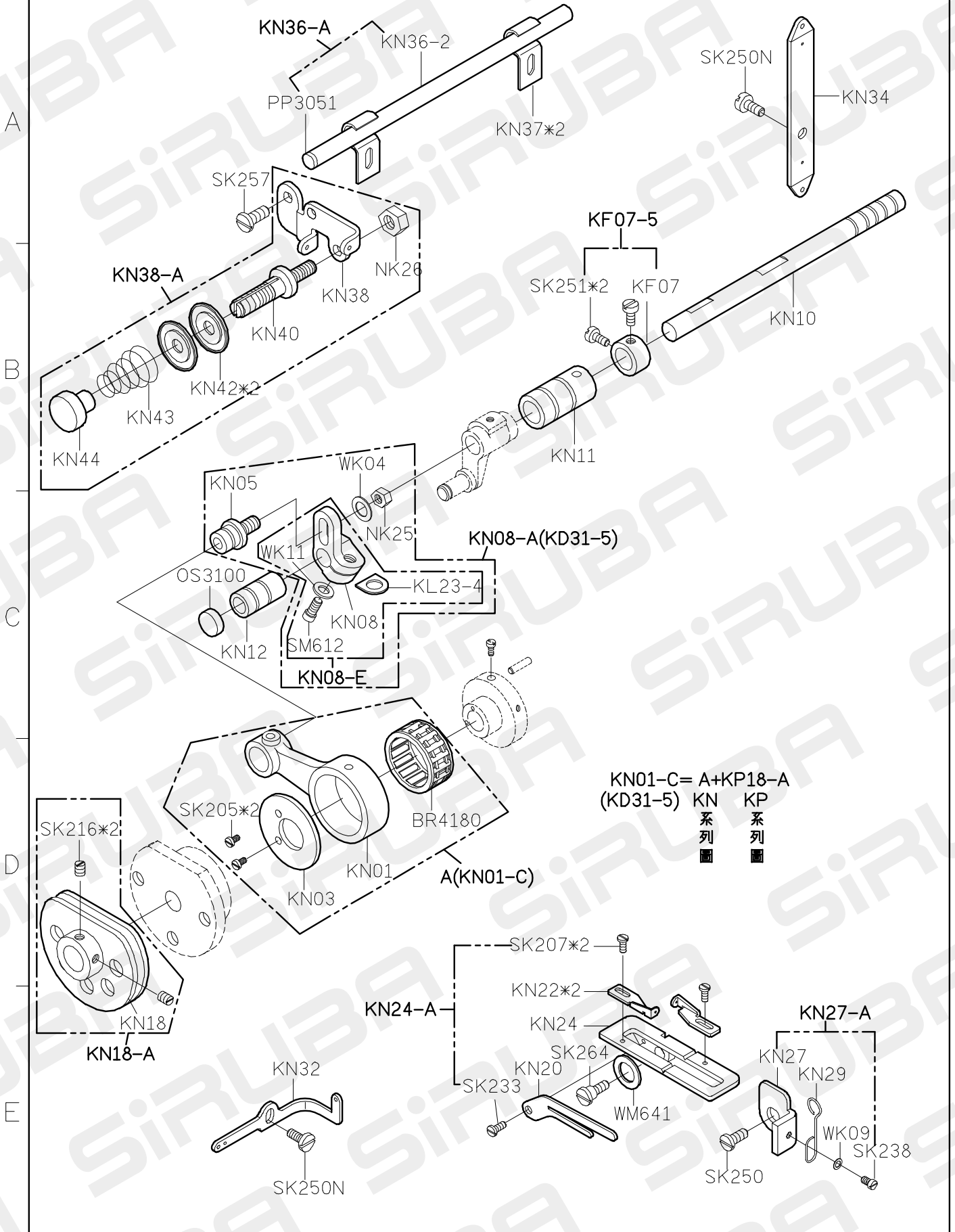
4

5

# 700DFT PARTS LIST FOR KM GROUP P.1/1



# 700DFT PARTS LIST FOR KN GROUP P.1/1



KN01-C = A+KP18-A  
(KD31-5) KN KP  
系列 系列

# 700DFT PARTS LIST FOR KP GROUP P.1/1

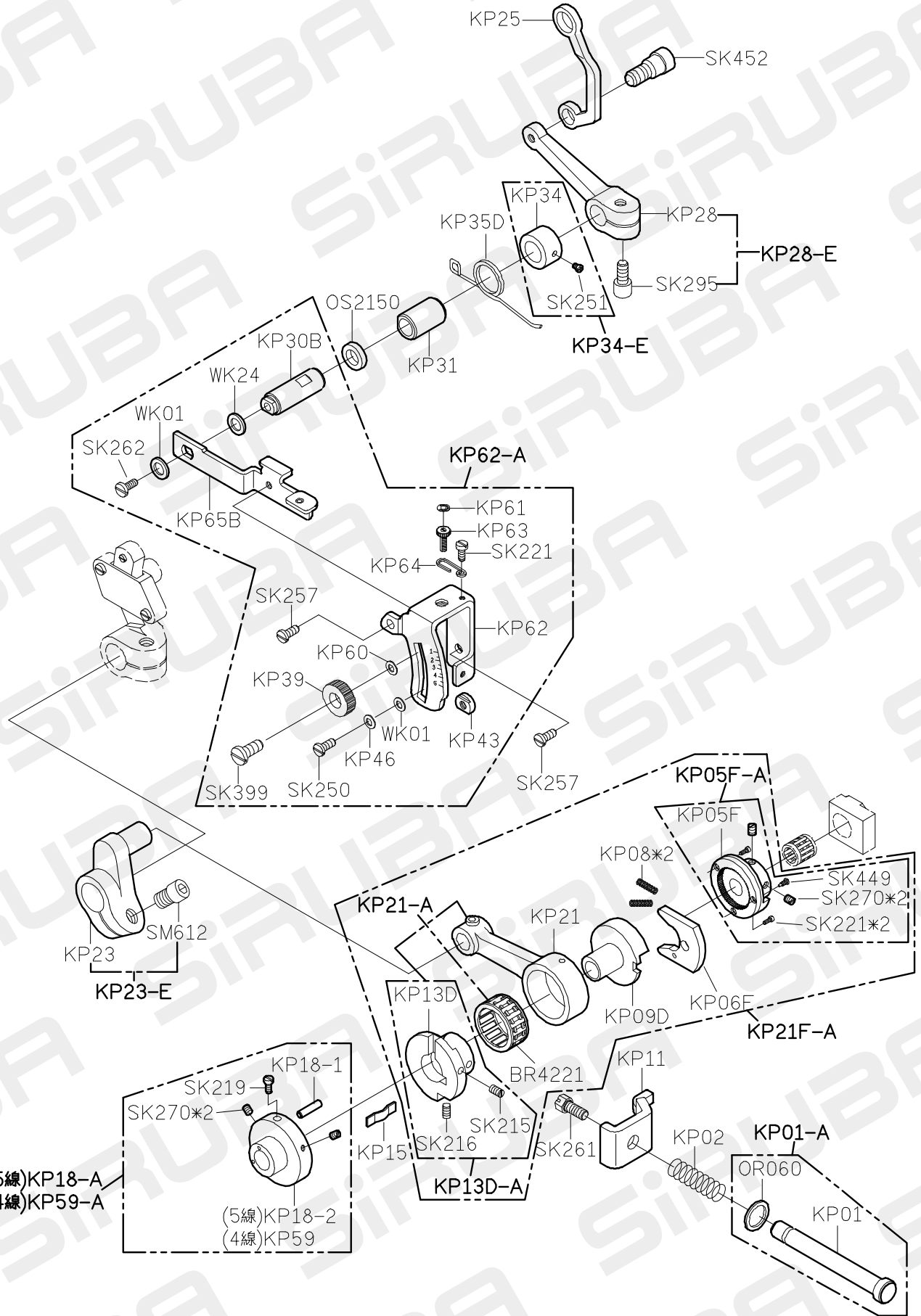
A

B

C

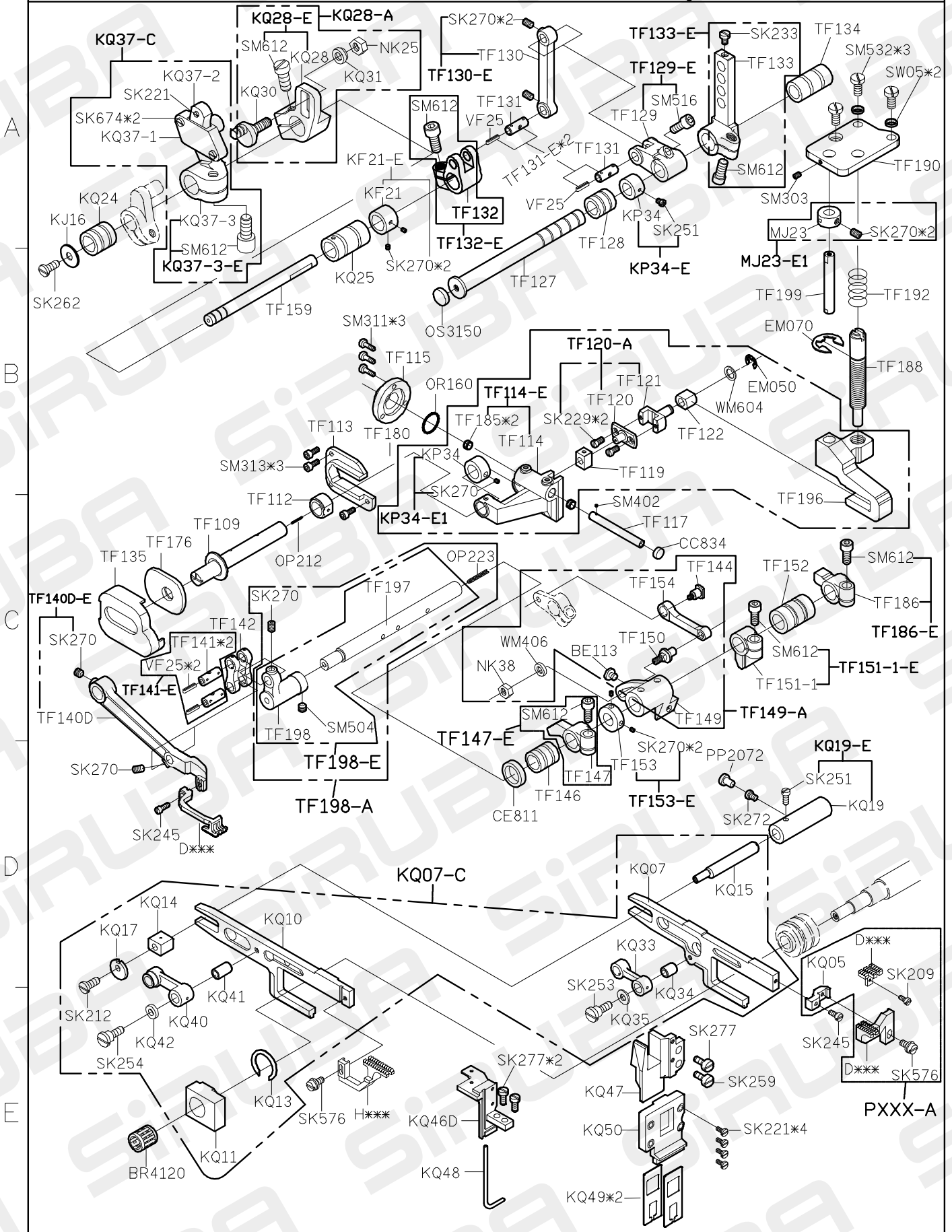
D

E





# 700DFT PARTS LIST FOR KQ GROUP P.1/1



A

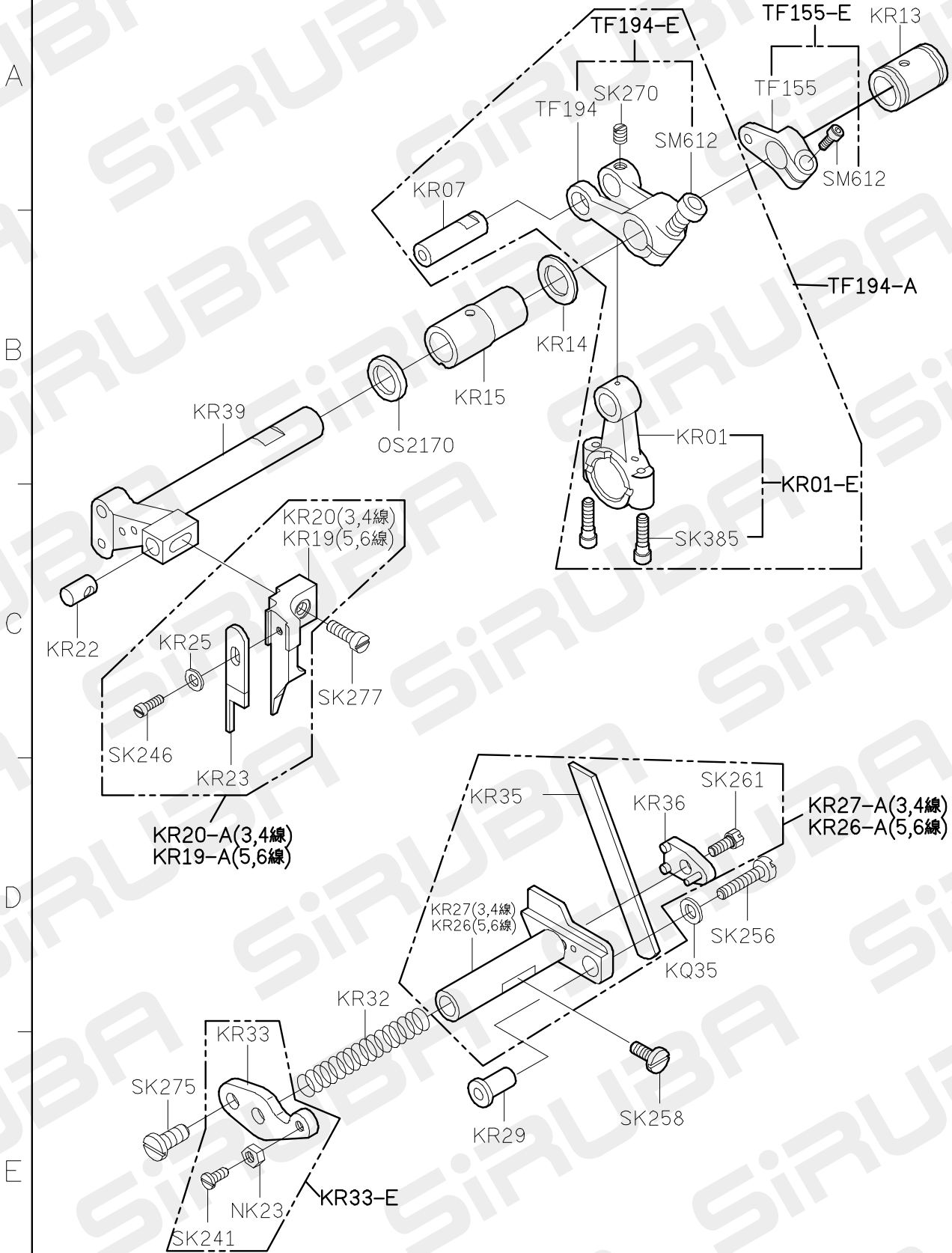
B

C

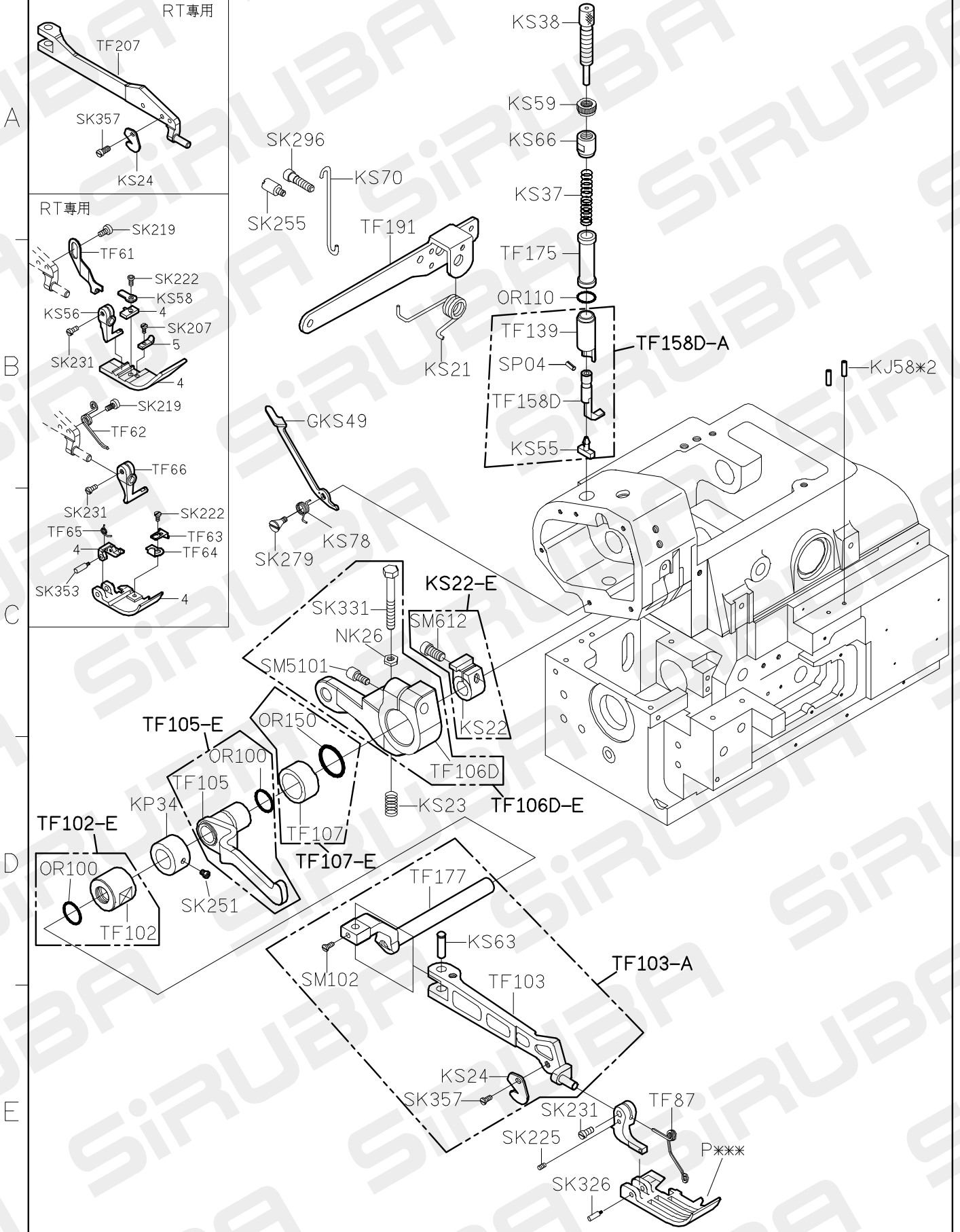
D

E

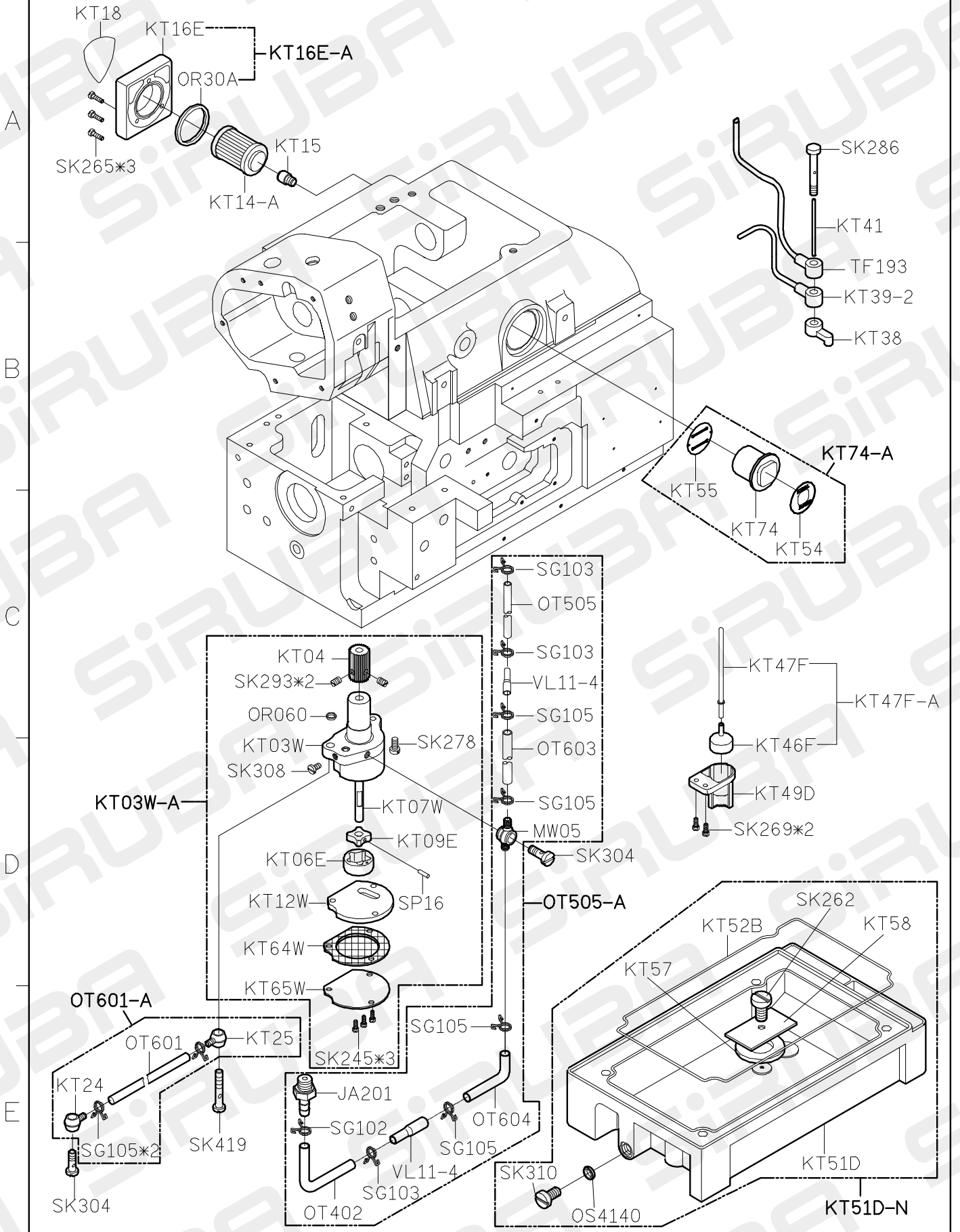
# 700DFT PARTS LIST FOR KR GROUP P.1/1



# 700DFT PARTS LIST FOR KS GROUP P.1/1



# 700DFT PARTS LIST FOR KT GROUP P.1/1



# 700DFT PARTS LIST FOR KU GROUP P.1/1

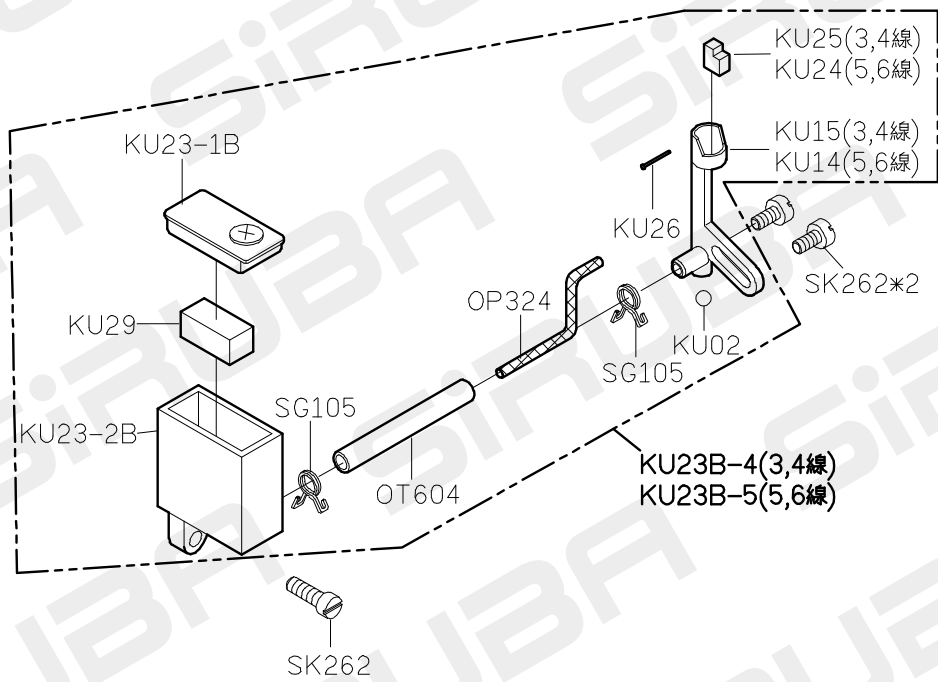
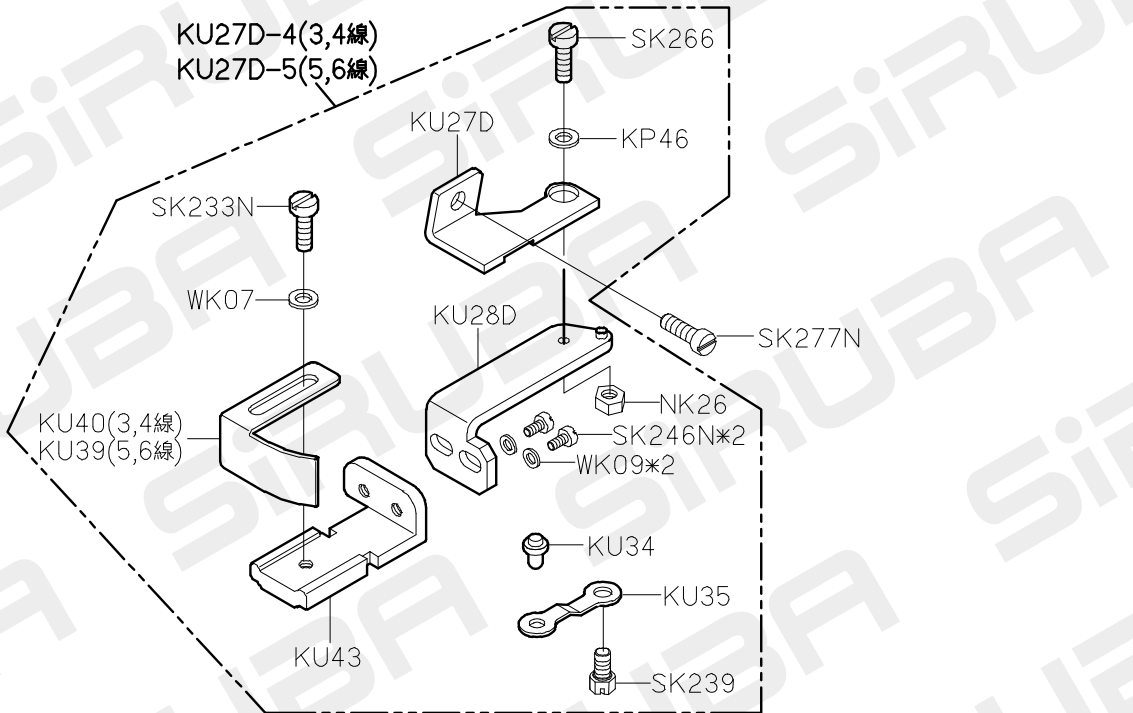
A

B

C

D

E



# DFT PARTS LIST FOR KW GROUP 1

KW40E-5

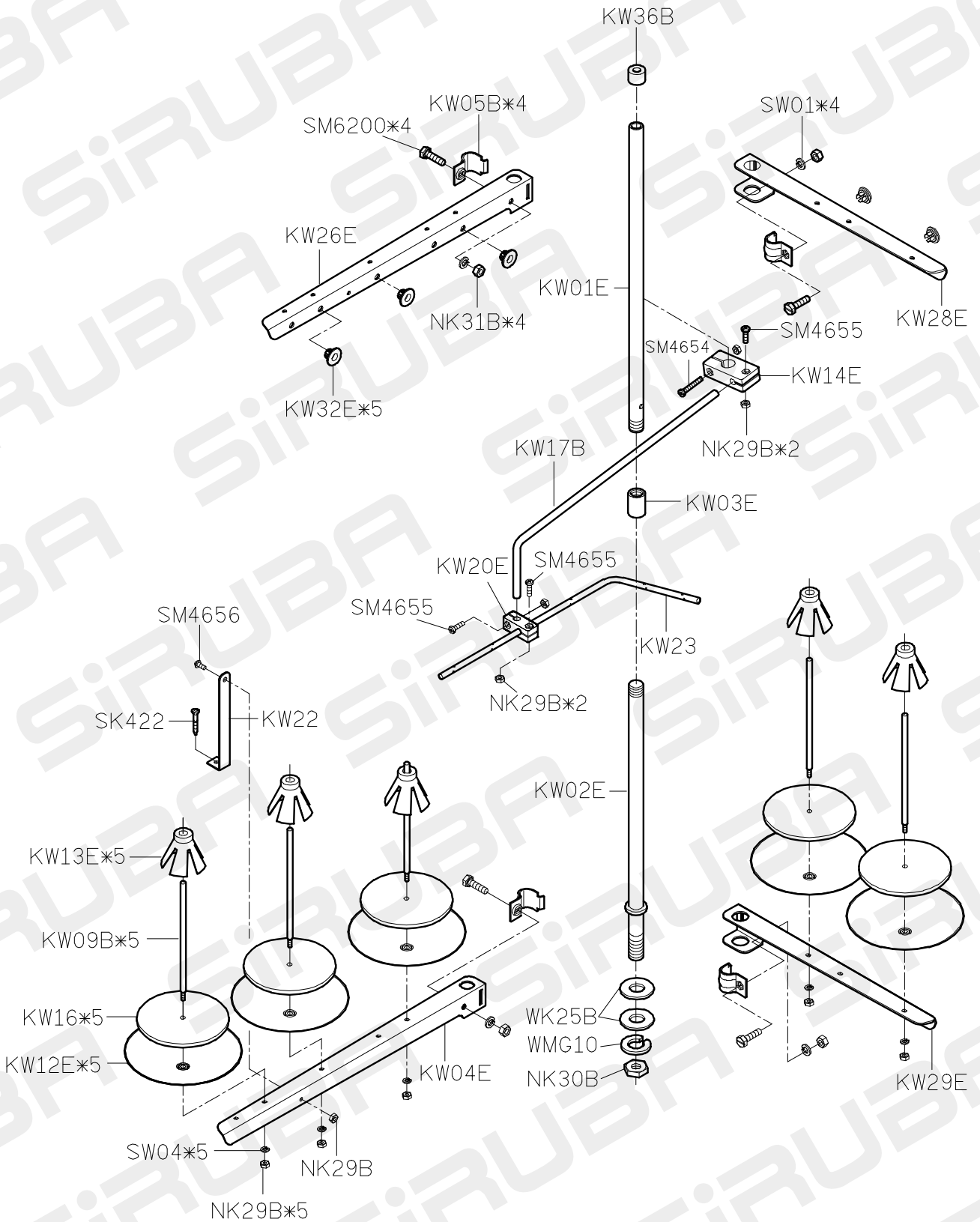
A

B

C

D

E



FOR DFT 1

2

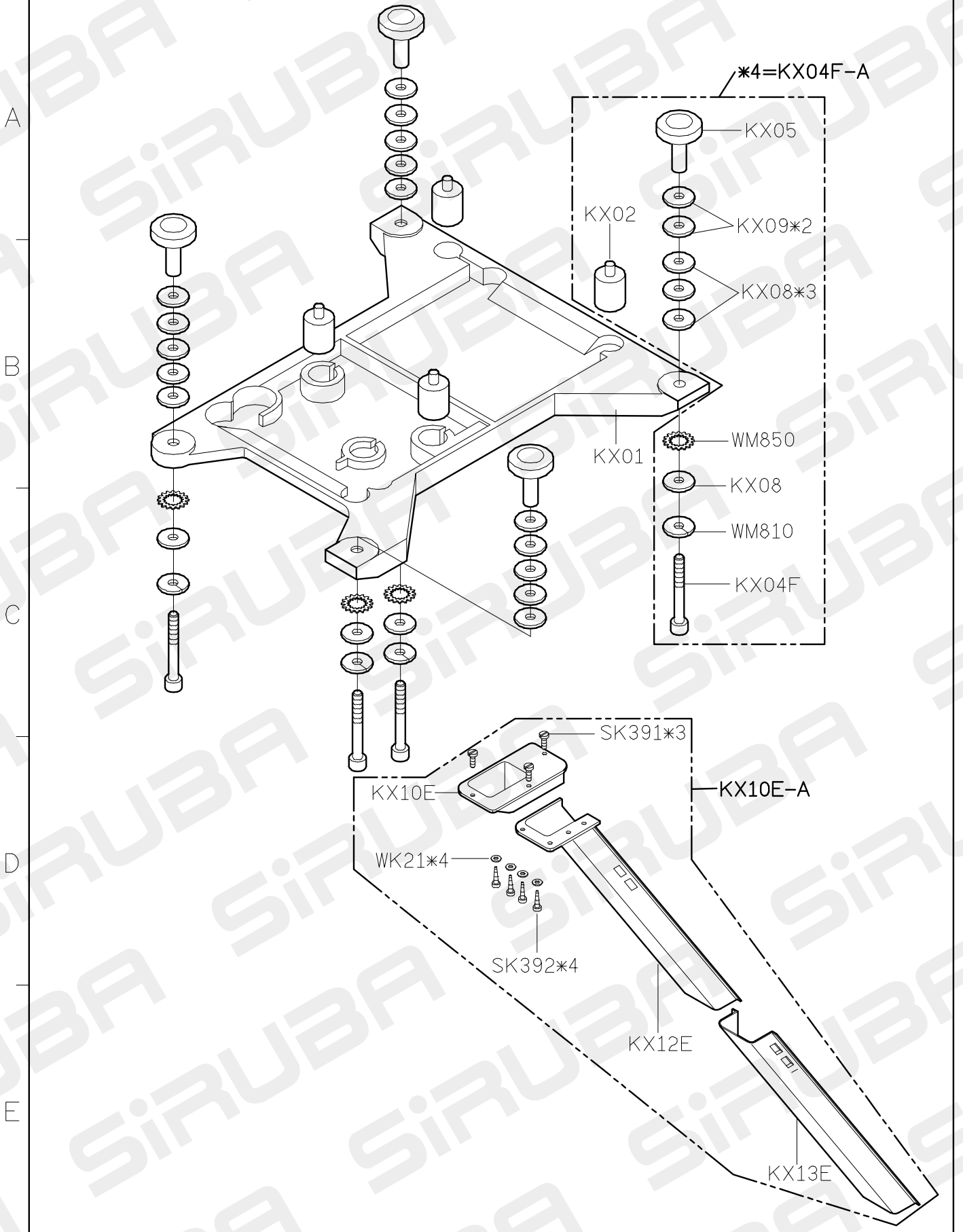
3

4

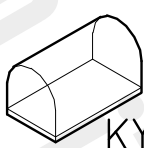
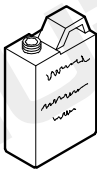




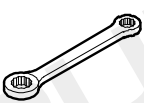
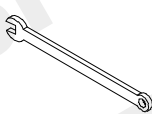



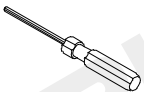



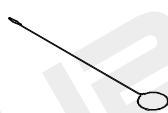











5

09/09/04

# PARTS LIST FOR KX GROUP P.1/1



# PARTS LIST FOR KY GROUP P.1/1

	GKY01 防塵罩	KY02-A 油罐	KY03 油壺	KY04 漏斗	KY05 油壺	KY30 針板紙
A						
	KY23-A		KY10-A			
	KY23 內六角扳手	KY09 開口扳手	KY10 六角扳手	KY11 六角扳手	KY12 六角扳手	KY14 內六角螺絲起子
B						
	KY16-A					
	KY16 一字起子	KY17 一字起子	KY18 鑷子	KY19 穿線器	KY20D 腳踏板	KY21-A/MY21 鉤子/鍊條
C						
D	KY201 工具袋	KR35 下刀片	KT14-A 濾油器	KZ03 乾燥劑	針*5 針	KZ08DFT/ KZ08DFT-1 使用說明書
						
E	SK216 螺絲	MY11 六角扳手	KY30 針板紙			
						



700DFT PARTS LIST FOR KZ GROUP P.1/1

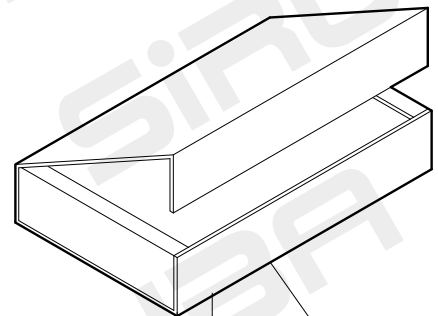
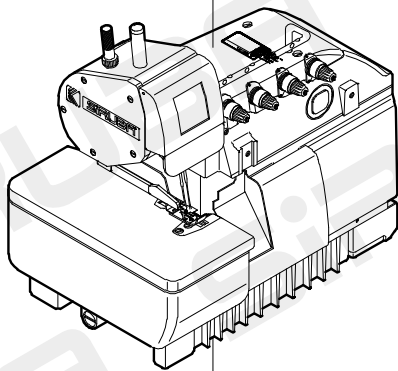
A

B

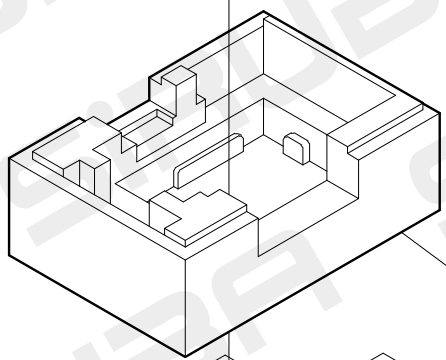
C

D

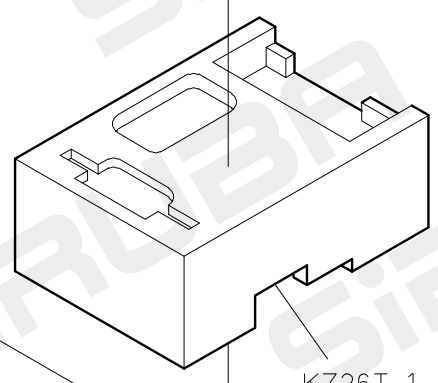
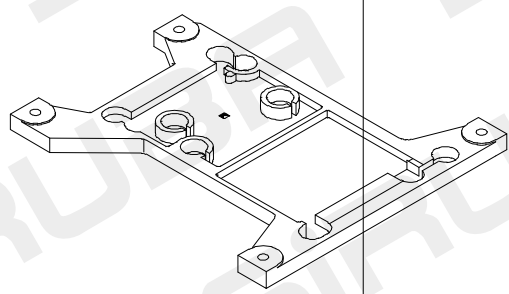
E



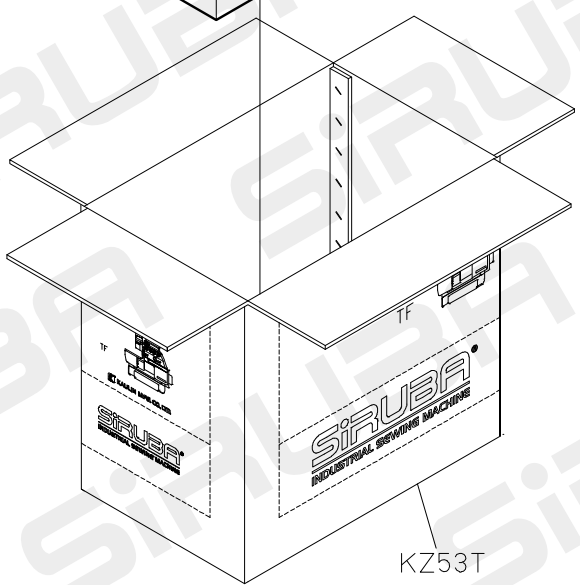
KW40E-5



KZ26F-3



KZ26T-1



KZ53T

TABLE CUT-OUT OF 747DFT-T1

FOR DFT  
 單位/UNIT:mm  
 所有尺寸公差/DIFFERENCE:±2  
 747DFT-T1-1070長度(L):1070/重量  
 747DFT-T1長度(L):1200/重量  
 全封邊灰格紋光塑面台板

